



RoHS
Compliant

CE **TUV**

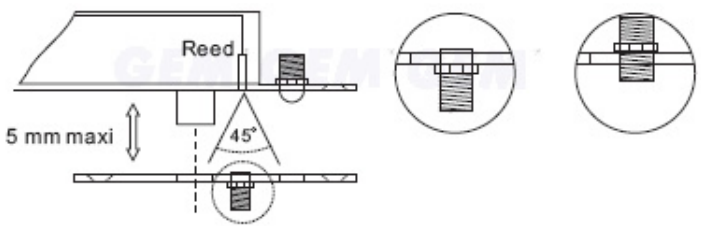
EB-260 electric deadbolt incorporates mechanic cylinder to operate manual lock/unlock if power is failure for safety.

Specifications

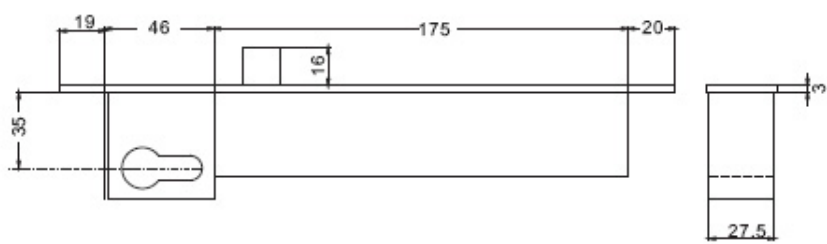
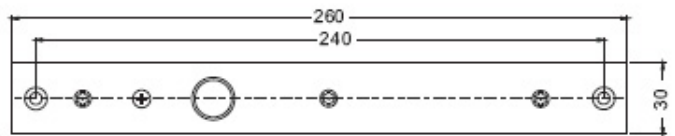
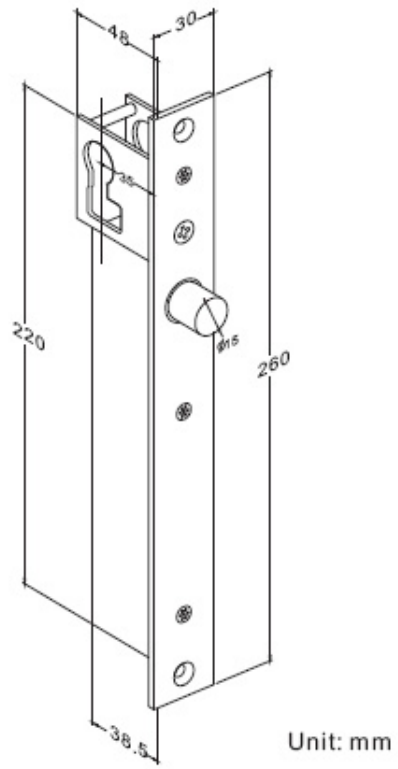
- Fail-Secure Version (Power to Open)
- Power Input: 12~28 V DC
- Voltage Tolerance: ±10%
- Current Draw:
Pull in: 1.0A, Holding: 0.3A@12V DC (at temperature 20°C)
- Operating Temperature: -10~+45°C
- Humidity: 0~95% non-condensing.
- Lock's surface Temperature (when the power is on):
<current temperature +20°C
- Tested to 500000 cycles.
- Face Plate Material: stainless steel
- Auto-relocking Time Delay : 3, 8, 15, 25 seconds
- Weight (Approx.): 1.3 Kg

Adjustable Sensor

The door close sensor can work up to a range of 5mm. If there is a wide door gap, a sensor magnet within the strike plate of the door can be adjusted to improve sensor accuracy.



Dimension



Solid bolt for superior strength

Greater security is provided by the 13.5mm diameter (16mm bolt throw) solid stainless steel bolt with hardened magnet core, which has resistant to metal cutting saws. The bolt also rotates freely, making attempts to tamper or cut extremely difficult.