



Statement

The EB-200N electric dropbolt is one of the most economical choices and it also has a complete optional accessories included. The EB-200N electric dropbolts are available in 32 mm and 38 mm wide faceplates. For the surface mount application, it can be used with SMB-200N surface mount back case. Also, after the door installs with the UBK-200N-38, the lock can be applied on frameless glass door and glass wall applications.

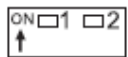
Specifications

- Fail-Safe Version (Power to Lock)
- Power Input: 12 V DC
- Voltage Tolerance: $\pm 10\%$
- Current Draw:
Pull in: 0.9A, Holding: 0.3A@12V DC (at temperature 20°C)
- Door Position status output (Reed rated 0.25A@30VDC) indicates door opened or closed status.
- Operating Temperature: -10~+45°C
- Humidity: 0~95% non-condensing.
- Lock's surface Temperature (when the power is on): <current temperature +20°C
- Tested to 500000 cycles.
- Auto-relocking Time Delay : 0, 3, 6, 9seconds
- Weight (Approx.): 1.2 Kg

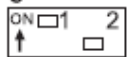
Lock Delay Settings

The door locking delay is the time between the door being closed and the bolt engaging . This can be set to up to 9 seconds at 3 second intervals by adjusting the jumpers.

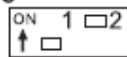
Auto Relocking Timer Setting



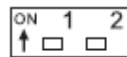
0 seconds



3 seconds



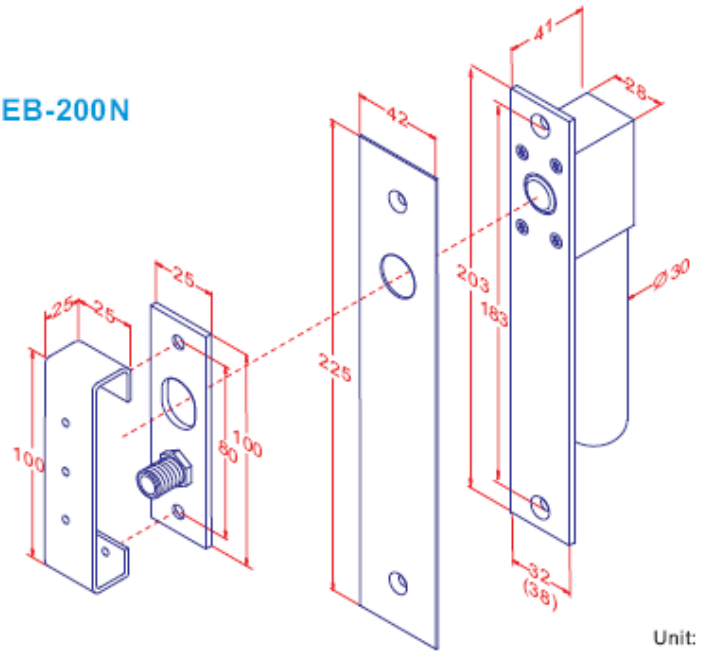
6 seconds



9 seconds

Dimension

EB-200N



Unit: mm

Clamp Design

When the bolt is extended to keep the door locked, it draws only 0.3A in a holding mode down from 0.9A while the bolt is retracted. This design both protects the power supply and extends the life of the electric dropbolt.

