

DIV520-V

IR Dome Camera series



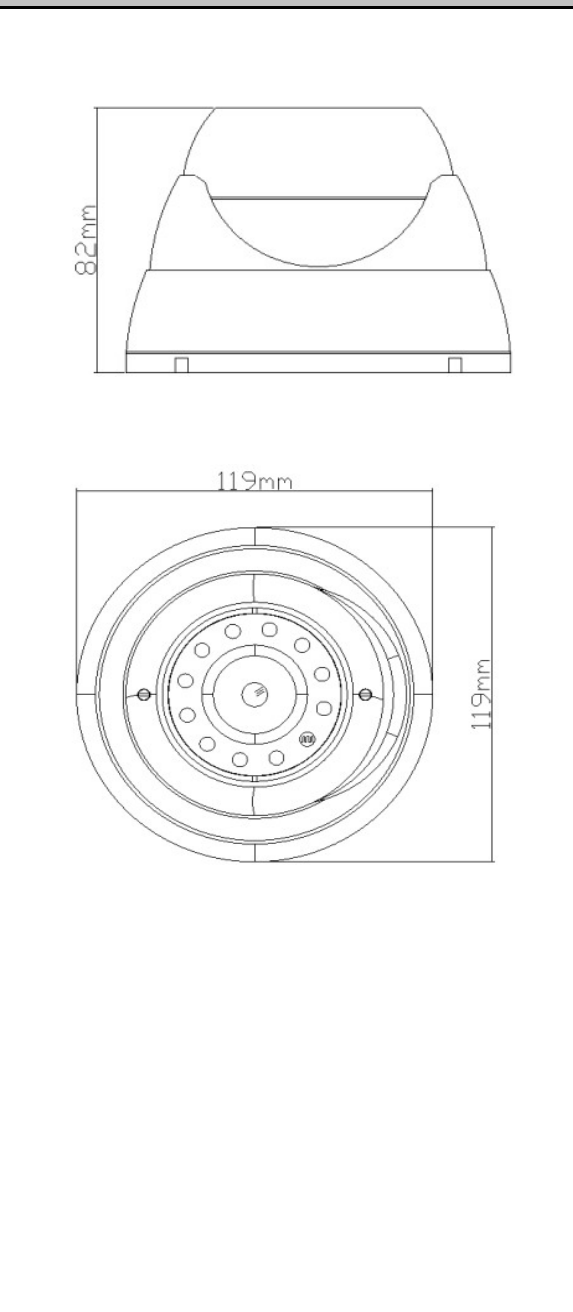
- ◆ 1/3" SONY HQ1 CCD
- ◆ Resolution: 520TVL
- ◆ focus&zoom adjustable outside



Specification

Dimension

Model	DIV520-V
Pick-up device	1/3"SONY HQ1 CCD
Number of pixels	NTSC:510(H)*492(V) PAL:500(H)*582(V)
Sensing area	4.9mm*3.7mm
Lens	4-9mm Korean manual M12 lens
Lens view angle range	98°-38°
Sync System	Internal
Resolution	520 TVL
Minimum illumination	0.3Lux/F1.2, 0Lux (IR on)
S/N ratio	More than 48dB
Supply voltage	DC12V
Gamma modification	0,45
Gain control	Auto
White balance	Auto
Electronic shutter	1/60(1/50)~1/100,000 sec
Video output	1.0Vp-p Composite Video Output,75ohm
BLC	on/off
IR distance	20~30m
Power consumption	200mA , IR on/500mA
Operation temp.	-20°Cto 50°C
Dimension	Please refer to the right figure



IR Dome Camera series